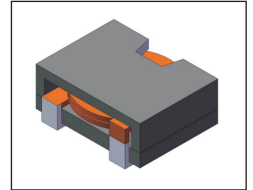


SMT Power Inductor

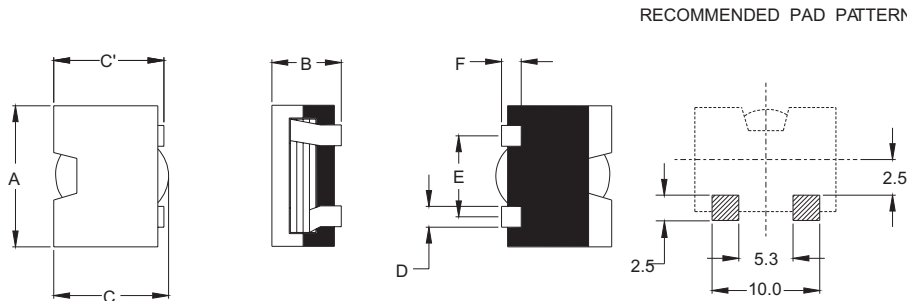
HMR1350B, 1362, 1365, 1368 & 1370 Type

Features

- RoHS compliant.
- Low profile, SMD type.
- High current.
- Magnetic shielded.
- High energy storage and low DCR.
- Provided with embossed carrier tape packing.
- Ideal for power source circuits, DC-DC converter, DC-AC inverters inductor applications.
- In addition to the standard versions shown here, customized inductors are available to meet your exact requirements.



Mechanical Dimension :



UNIT : mm/inch
 A = 12.80 / 0.504 Max.
 C = 10.20 / 0.402 Max.
 C' = 10.00 / 0.394 Max.
 D = 1.80 / 0.071
 E = 7.65 / 0.301
 F = 2.00 / 0.09

Electrical Characteristics : 25°C, 100KHz, 1V

PART NO.	L_o^1 (μ H)	L_i (μ H) MIN.	DCR ($m\Omega$) MAX	I_{sat}^2 (A dc)	I_{rms}^3 (A dc)	HEIGHT "B" (mm/inch) MAX.
HMR1350B-7R0	7.0	5.60	17.00	8.0	7.8	5.0 / 0.197
HMR1362-5R6	5.6	4.48	7.20	10.0	11.0	6.2 / 0.244
HMR1362-100	10.0	8.00	17.00	7.8	8.0	6.2 / 0.244
HMR1365-5R6	5.6	4.45	6.00	8.0	13.0	6.5 / 0.256
HMR1368-1R4	1.4	1.10	1.74	16.0	25.0	6.8 / 0.268
HMR1368-4R5	4.5	4.20 \pm 20%	5.10	12.0	14.0	6.8 / 0.268
HMR1370-100	10.0	8.00	17.00	7.8	9.0	7.0 / 0.276

1. Tolerance of inductance is \pm 20%.
2. I_{sat} is the DC current which cause the inductance drop to L_i .
3. I_{rms} is the DC current which cause the surface temperature of the part increase less than 45°C.
4. Operating temperature : -20°C to 105°C (including self-temperature rise).



DELTA ELECTRONICS, INC.

(TAOYUAN PLANT CPBG) 252, SAN YING ROAD, KUEISAN INDUSTRIAL ZONE, TAOYUAN SHIEN, 333, TAIWAN, R.O.C.
 TEL: 886-3-3591968; FAX: 886-3-3591991
<http://www.deltaww.com>